

## Safety Instructions



1, 2, 3, 4, 5, 6, 7, 8, 9, 11,  
12-Transfo, 13, 15, 16-transfo,  
17, 19, 30, 31b, 34



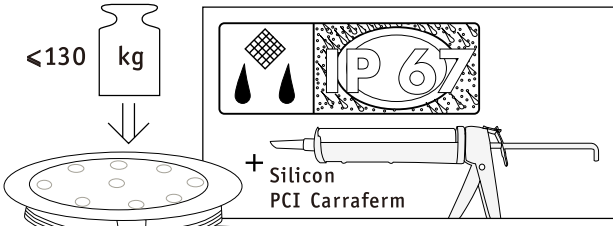
Info Hotline **+49 (0) 5041 998 389**

Mon. - Do. 7<sup>00</sup> - 20<sup>00</sup>

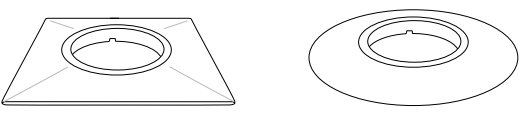
Fr. 7<sup>00</sup> - 17<sup>00</sup>

Paulmann Licht GmbH  
31832 Springe / Germany  
www.paulmann.com

Art.-Nr.:  
**988.57**  
**988.58**  
**988.59**  
...  
(+MA 197)  
PSU 05/12



Art.Nr.: 987.51, 987.52  
987.56, 987.91  
988.59, 937.00  
925.63

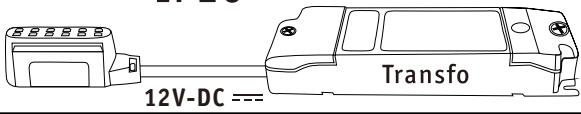


Art.Nr.: 987.79, 987.82  
988.58 925.65

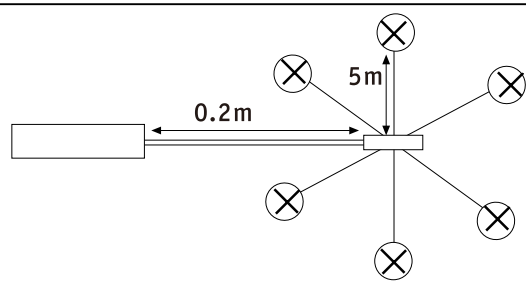
Art.Nr.: 987.77, 987.81  
988.57 925.64

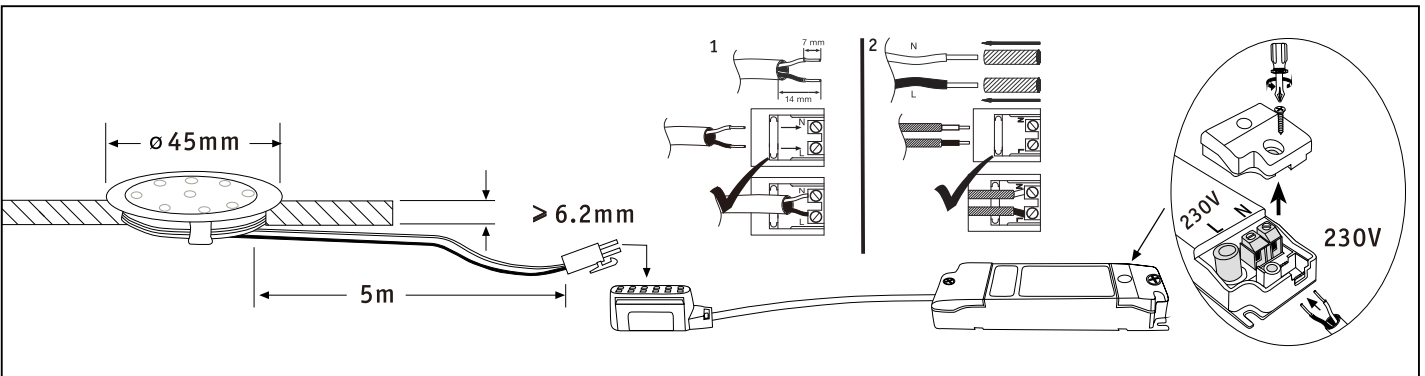
**LED Power Supply**  
Art.Nr.: 987.54 (987.57, 987.58,  
987.94, 987.97, 937.01)

**IP20**



12V-DC





ø 45mm

5m

> 6.2mm

1

2

7 mm

14 mm

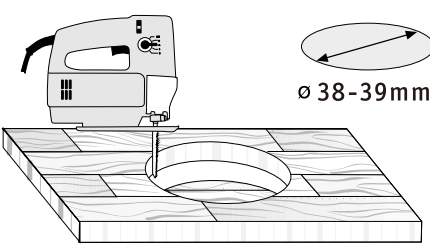
N

L

230V

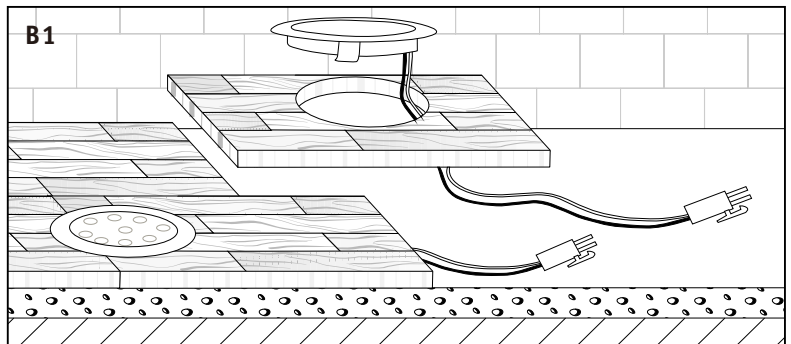
230V

**A1**

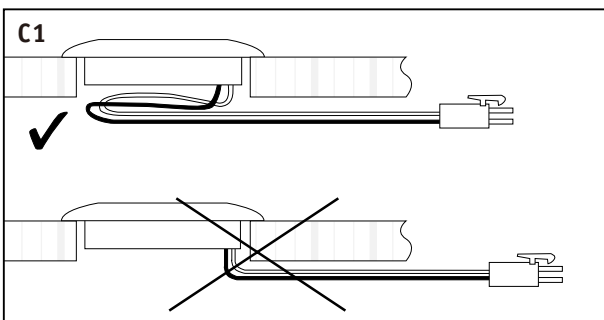


ø 38-39mm

**B1**

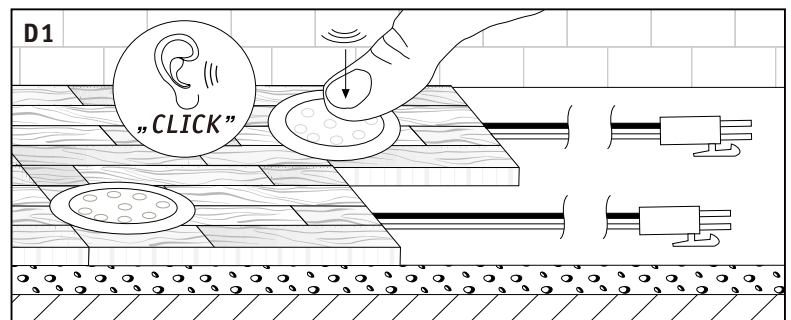


**C1**



✓

**D1**



„CLICK“

